



LIGHT ECO PLUS

Lighting Controller

Proven Technology - Real Savings
specialist designers and producers
of energy-saving lighting devices
and motor control

Light Eco Plus Save up to 40% on your lighting costs

- Save up to 40% on your lighting costs and see your electricity bill slashed
- See what you save at a glance or download your savings history
- Reduce your impact on the environment by cutting greenhouse gas emissions
- Fast return on investment - typical ROI within 12 to 18 months
- Quick and easy Installation
- Over 60,000 installations worldwide
- Suitable for any space that uses fluorescent lighting such as offices, warehouses, shops and factories
- Using world leading Australian innovation and technology

The proven energy and cost saver for fluorescent and high bay lighting



Case Study

20 fully loaded Light Eco Plus devices installed in a factory with 1400 tubes operating for 20 hours a day would achieve:

- £14,000 saving on the annual electricity bill
- CO² reduction of 52 tonnes
- 100% return on investment in 12 months*

*saving based on average kilowatt hour price of 12p

“The Energy Saving portfolio that Fairford Energy offers has been a great success for Energy Saving Solutions. The energy-saving technologies have been employed in the private and public sector and to date have been extremely successful. Following initial trials a major fast food restaurant chain has agreed to install lighting controls at 1052 of their sites, initial results show that they are achieving an average reduction in lighting cost of in excess of 36%” - Ian Mills - Energy Saving Solutions

Features

- **Models from 10A to 20A standard. Larger units are available.**
- **LCD Display showing percentage saving, voltage, current and power.**
- **Bypass switch to allow manual bypass of unit during maintenance.**
- **External control option for use with PIR sensors, daylight sensor and BMS.**
- **USB option allows you to download the savings history and view real time data.**
- **HID version available.**

How Does Light Eco Plus Work?

Light Eco Plus is a cost effective and compact controller that delivers significant energy savings by controlling the amount of electricity that reaches a fluorescent lighting circuit.

After fluorescent lights have been switched on and warmed up, they can operate effectively on a reduced power supply.

Light Eco Plus works by allowing lights to turn on at the standard utility voltage and then reducing the electricity supply to economy mode.

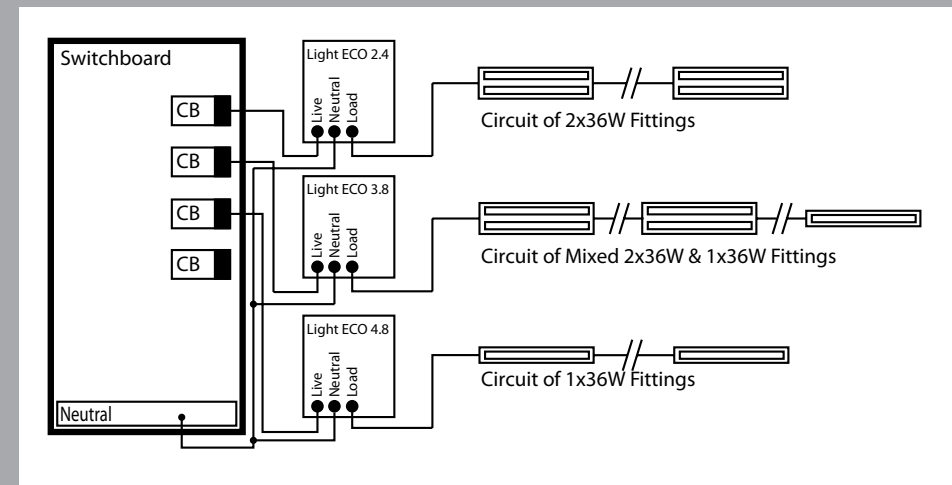
With Light Eco Plus the savings are easy to see. The LCD panel on the device clearly shows the savings being made and the information is stored so that the savings history is available for download*.

**requires optional hardware and software.*

Easy Installation

Light Eco Plus is easily installed into existing fluorescent lighting circuits and can be installed by an electrician in less than 30 minutes. Interruption and lighting downtime is a matter of minutes.

Light Eco Plus is designed for retro fitting into existing installations, eliminating the need for expensive modifications. Once installed, there are no ongoing costs - only ongoing savings.



Manufactured by: ILUM-A-LITE PTY LTD
Authorised Distributor: Fairford Energy

Other Energy Saving Products from Fairford Energy



HFE

Single Phase Motor Energy Saving Soft Starter

- Automatic Energy Saving
- Easy Installation - 2 In 2 Out
- No Maintenance Needed
- **Save Up To 40%**



XFE

Three Phase Motor Energy Saving Soft Starter

- Automatic Energy Saving
- LCD Display
- Automatic Set Up
- **Save Up To 40%**



LED

Replacement for Halogen Bulbs

- **Save up to 80%**
- Lamp Life of 30,000+ Hours
- 100° Beam Angle
- Light Output of 60Lm/W



SAVE IT EASY

Energy Saving Retrofit Solution

- Converts conventional ballasts to high frequency ballast, capable of fitting T5 and T8 tubes.
- **Savings Up to 56%**
- Fast, Easy Installation



for more information contact us
now on tel: +44(0) 1548 857494
or email: info@fairfordenergy.co.uk
www.fairfordenergy.co.uk



Fairford Energy -
A division of Fairford Electronics Ltd,
Coombe Works, Derby Road, Kingsbridge, Devon.
TQ7 1JL United Kingdom

tel: + 44 (0) 1548 857494
fax + 44 (0) 1548 853118

info@fairfordenergy.co.uk
www.fairfordenergy.co.uk